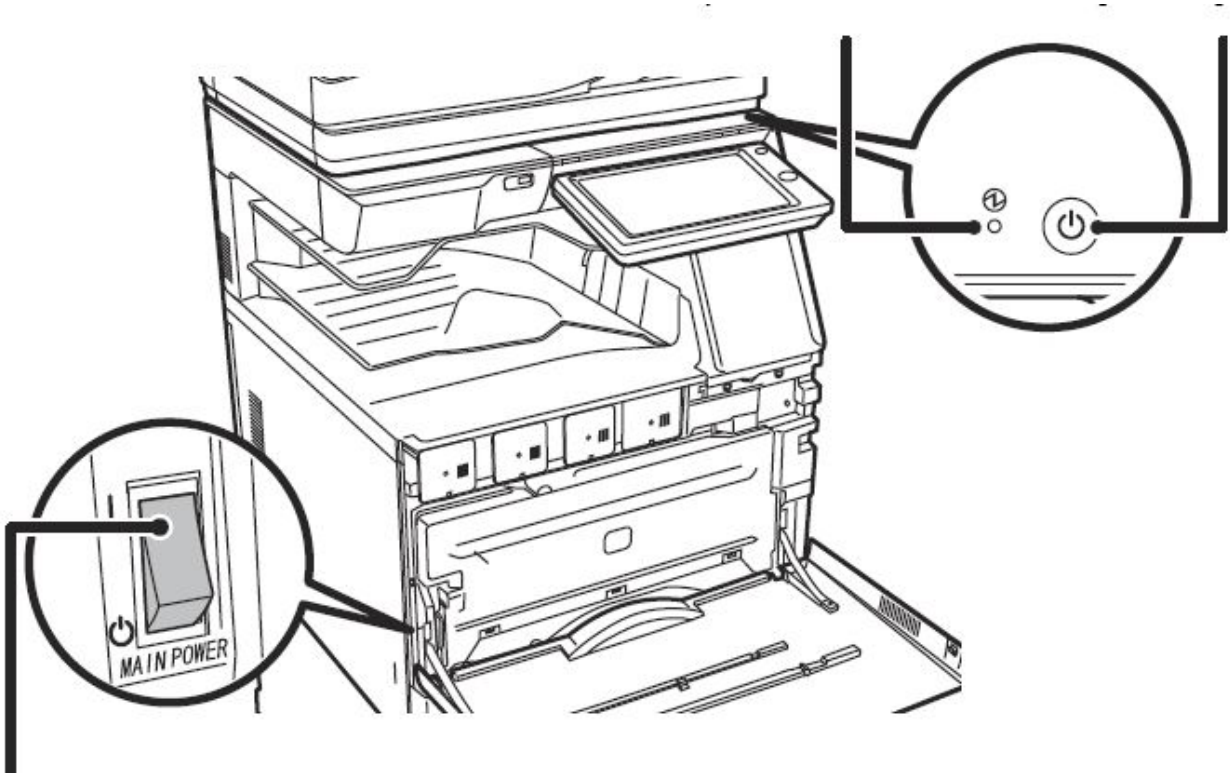


BASIC USER FEATURES

How to turn on and off machine?

1. Switch on machine electrical plug. (switch on all plugs if machine come with extra accesories finisher)
2. Turn on main power machine located inside front cover of the machine. Please take note main switch for few models located left side of the machines.



Unique solution ID: #1006

Author: Admin IT

Last update: 2024-03-25 03:04